



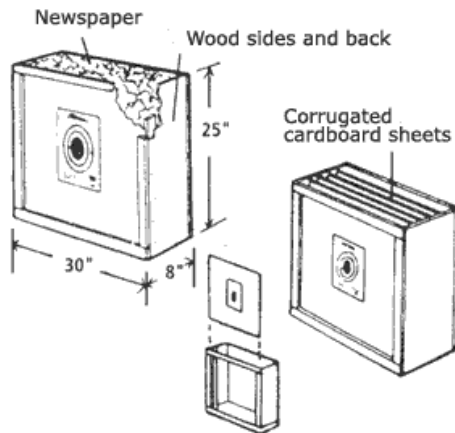
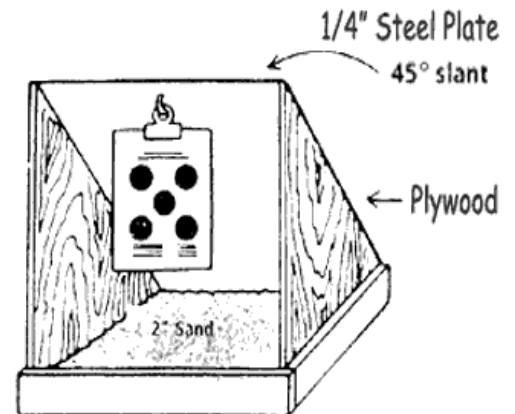
Backstops

Indoor shooting ranges for air guns provide more opportunities to teach and practice live fire.

The plans below are from DAISY in *Hunter Ed* magazine (Winter 2000) and will help create a safe indoor shooting environment.

Metal Backstop

A metal backstop very similar to commercial metal portable bullet stops. Excellent for home or club air gun use.



Cardboard and Newspaper Backstop

A custom-constructed box or just a plain heavy duty cardboard packing box plus corrugated cardboard sheets and/or magazines are all that's needed for this backstop.

If BBs are used, be sure to use corrugated cardboard rather than magazines immediately in back of the target as BBs tend to bounce off the fairly hard surfaces.