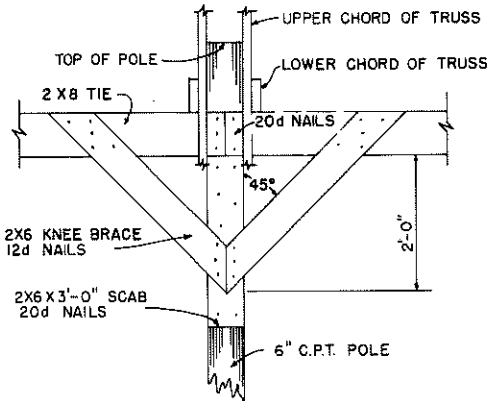
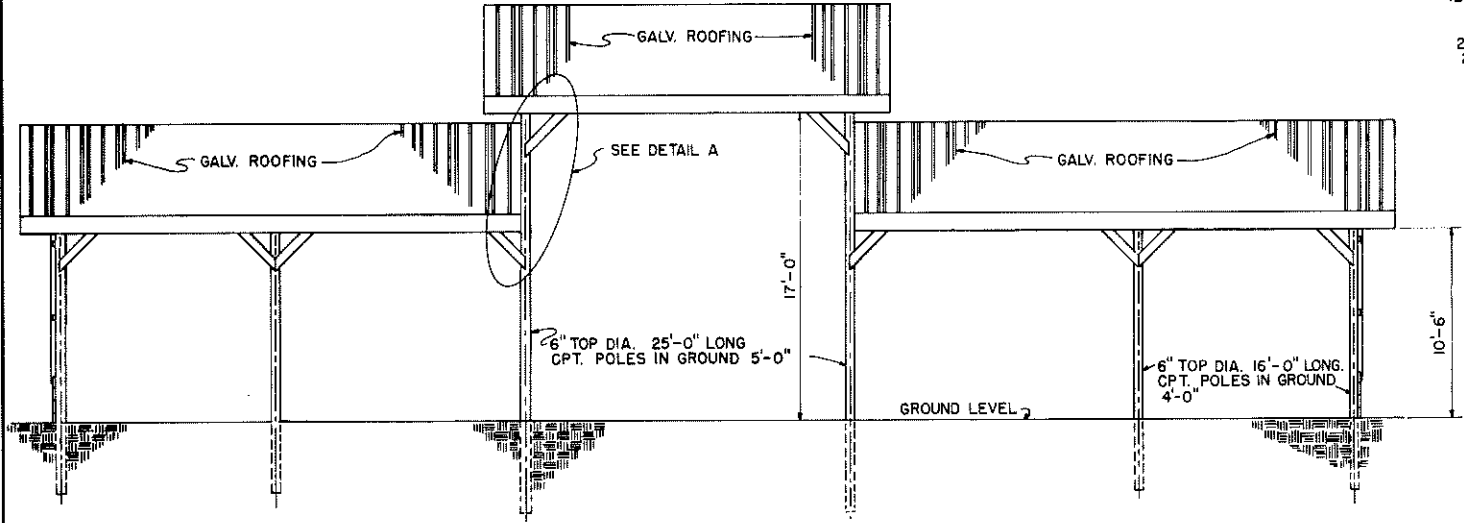


FLOOR PLAN



KNEE BRACE DETAIL
SCALE: 3/4"=1'-0"
12" 6" 0 1'



FRONT ELEVATION

NOTE: CONSULT LOCAL HEALTH AND BUILDING CODE AUTHORITIES BEFORE STARTING CONSTRUCTION.

BASED ON: MISS. STATE UNIV. PLAN NO. 5841-A

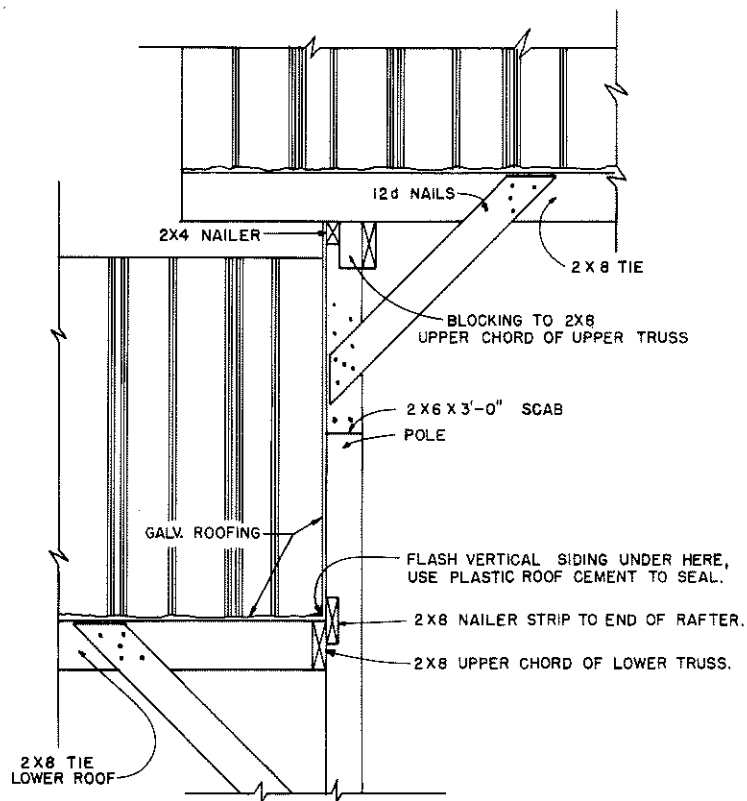
SCALE: 3/6"=1'-0" UNLESS OTHERWISE NOTED.

COOPERATIVE EXTENSION WORK IN AGRICULTURE AND HOME ECONOMICS

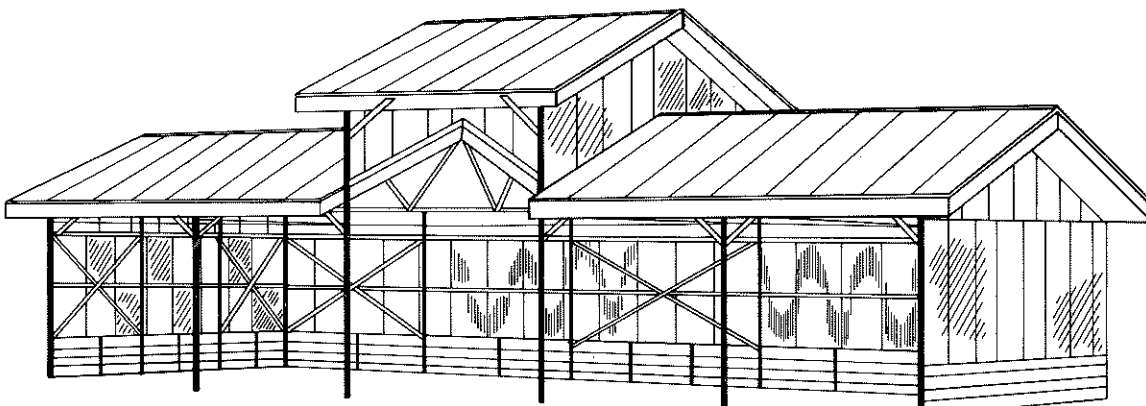
AND UNITED STATES DEPARTMENT OF AGRICULTURE COOPERATING

MACHINERY SHED

MISS. '75	6220	SHEET 1 OF 2
-----------	------	--------------

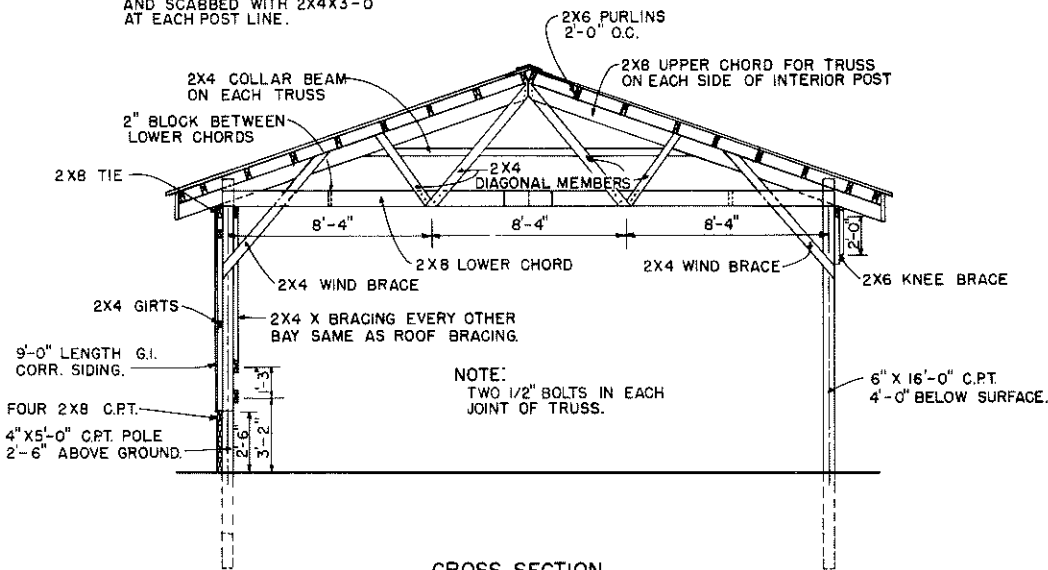


DETAIL A
SCALE: 3/4" = 1'-0"
12" 6" 0"



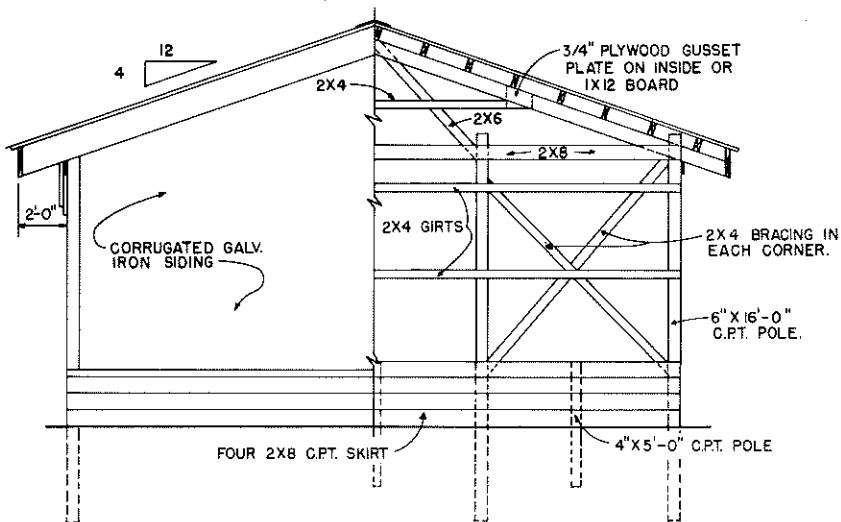
PERSPECTIVE

NOTE:
PURLINS BUTT JOINTED
AND SCABBED WITH 2X4X3'-0"
AT EACH POST LINE.



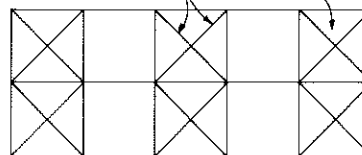
CROSS SECTION

NOTE:
TWO 1/2" BOLTS IN EACH
JOINT OF TRUSS.



END FRAMING & ELEVATION VIEW

1X4 BRACES EVERY OTHER
BAY NAILED UNDER PURLINS.



ROOF BRACING SYSTEM
NOT TO SCALE

12" 0' 1' 2' 3' 4' 5'
SCALE: 1/4" = 1'-0" UNLESS OTHERWISE NOTED.

COOPERATIVE EXTENSION WORK IN
AGRICULTURE AND HOME ECONOMICS

AND
UNITED STATES DEPARTMENT OF AGRICULTURE COOPERATING

MACHINERY SHED

MISS. '75 6220 SHEET 2 OF 2