

MWPS-81901

48' Solar Machine Shed & Shop

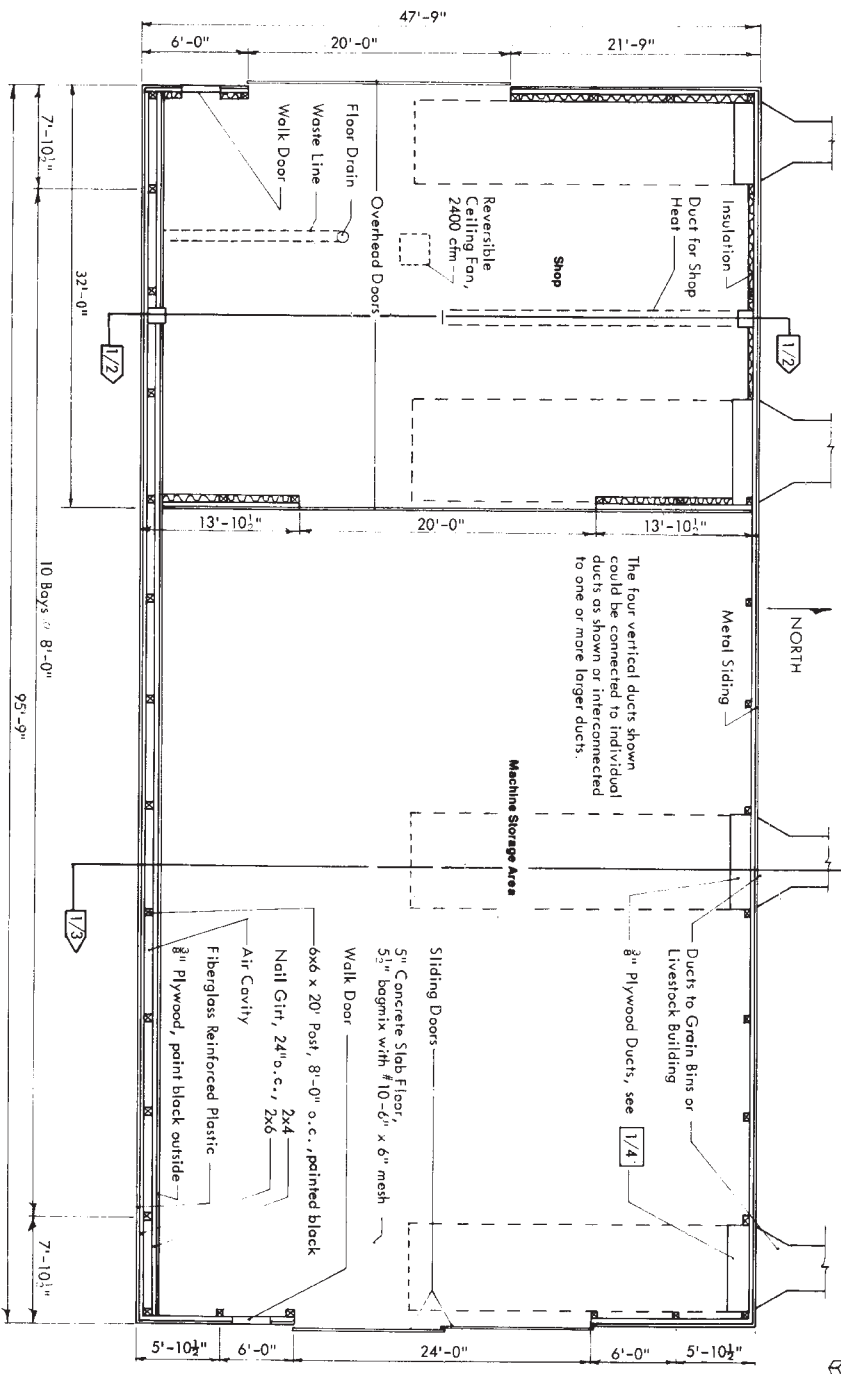
CAUTION!

Additional professional services will be required to tailor this plan to your situation, including but not limited to: assurance of compliance with codes and regulations; review of specifications for materials and equipment; supervision of site selection, bid letting and construction; and provision for utilities, waste management, roads or other access. **Furthermore, any deviation from the given specifications may result in structural failure, property damage, and personal injury including loss of life.**

WARRANTY DISCLAIMER

This plan provides conceptual information only. **Neither midwest plan service nor any of the cooperating land-grant universities, or their respective agents or employees, have made, and do not hereby make, any representation, warranty or covenant with respect to the specifications in this plan.** Additional professional services will be required to tailor this plan to your situation, including but not limited to: assurance of compliance with codes and regulations; review of specifications for materials and equipment; supervision of site selection, bid letting and construction; and provision for utilities, waste management, roads or other access.

MIDWEST PLAN SERVICE
Cooperative Extension Work in Agriculture and Home Economics and Agricultural Experiment Stations of North Central Region - USDA Cooperating
48' Solar Machine Shed & Shop
Title Page
MIDWEST PLAN NO. 81901



Notes:

Provide 1 sq ft of ridge vent opening for each 100 sq ft of collector surface. Space ridge vents evenly along building length. Open when solar heat is unneeded.

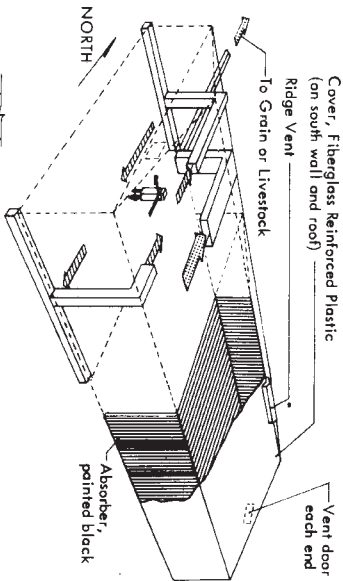
Provide one 4x8 screened vent door at each end of the solar attic. Open in summer; cover tightly in the heating season.

See Midwest Plan No. 74146, 48' Pole Machine Shed for construction details for doors, headers, trusses, etc.

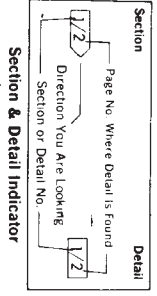
OPERATION

- A. Grain Drying or Livestock Building Heating - Pull attic air through north wall ducts by drying or ventilating fans.
- B. Shop Heating and Ventilation - Reversible overhead fan pulls warm attic air into shop (winter) - or pulls shop air to attic and ridge vent (summer).
- C. Heat Storage - Pull air through rock, under shop if attic air is warmer than rock; shop floor is heated.

The four vertical ducts shown could be connected to individual ducts as shown or interconnected to one or more larger ducts.



FLOOR PLAN—1/1

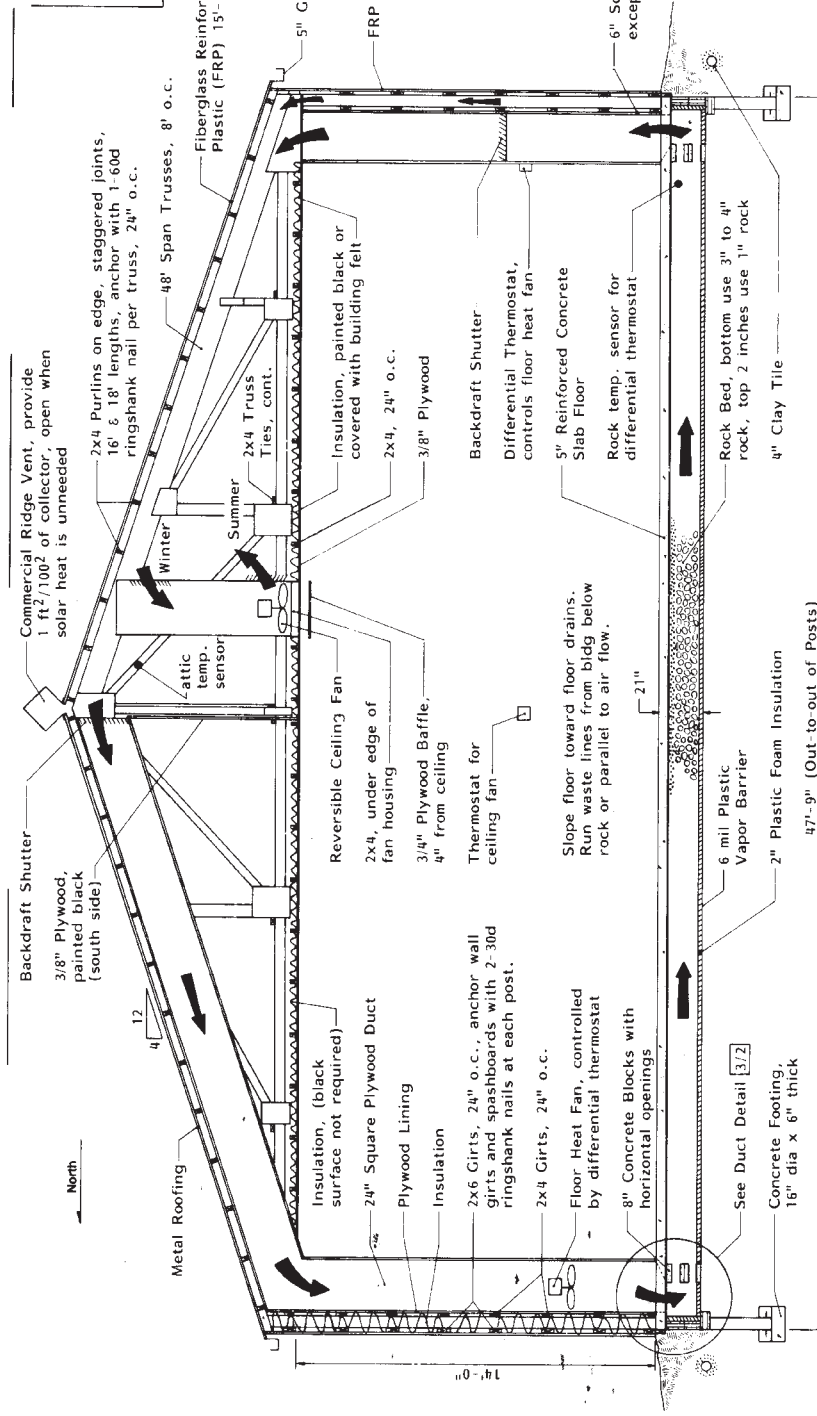


MIDWEST PLAN SERVICE
 Cooperative Extension & Research in Agriculture
 & Home Economics in the 12 North Central
 Universities—USDA Cooperating

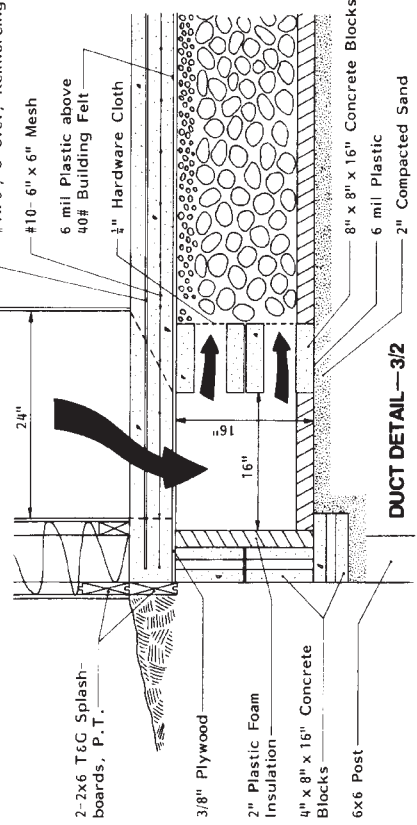
**48' SOLAR MACHINE SHED
 AND SHOP**

Pages plus	Plan No.	Page
rwps - 61901		1 of 4

Notes:
 Fan bearings must be suitable for vertical fan operation.
 Fans should deliver 2400 cfm at 1/2" static pressure
 Ducts to Grain Drying
 Provide 1 sq ft of cross section area for each 100 cfm
 Ducts to Livestock Bldg.
 Provide 1 sq ft of cross section area for each 500 cfm

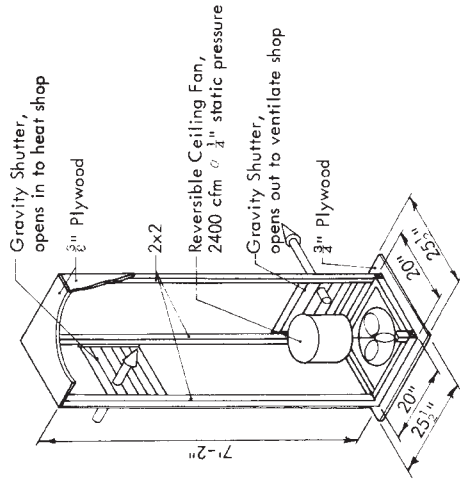
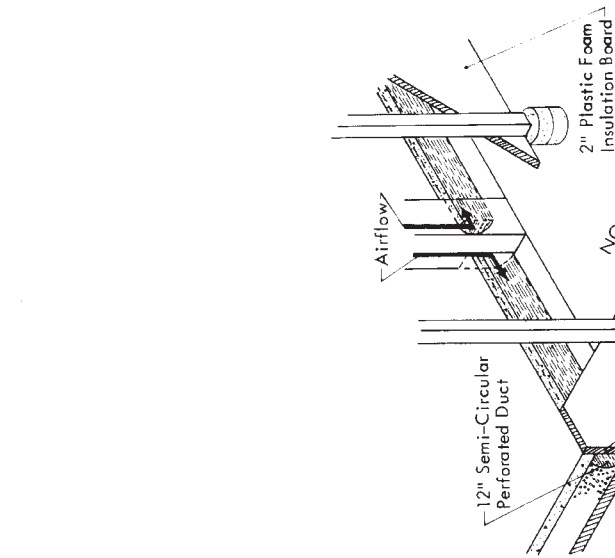


SHOP SECTION—1/2



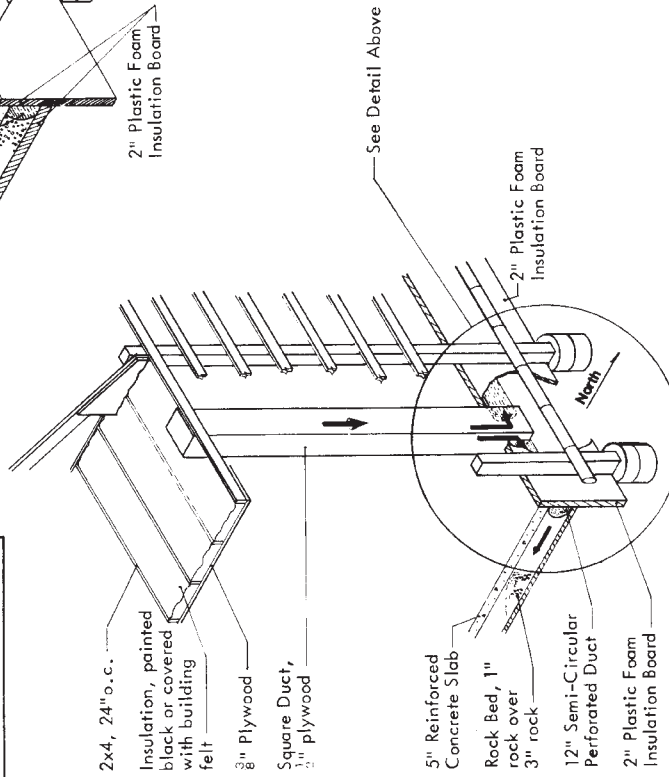
DUCT DETAIL—3/2

MIDS MIDWEST PLAN SERVICE	
48' SOLAR MACHINE SHED AND SHOP	
Rev. 4.82	Plan No. 81901
	Page 2 of 4
Copyright © 1980 Midwest Plan Service, Ames, IA 50011	

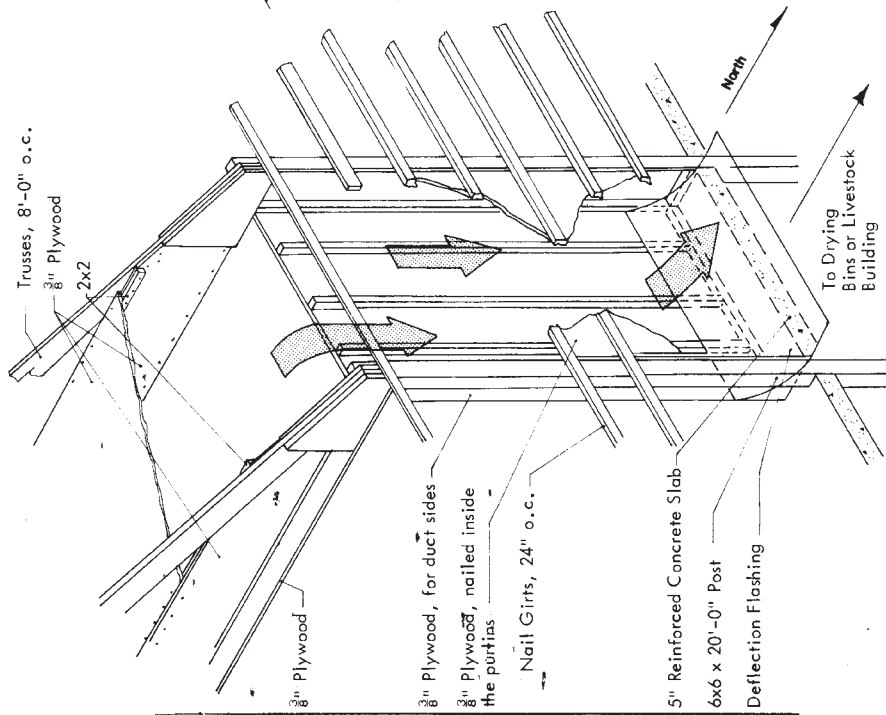


HOUSING FOR ATTIC FAN—2/4

Box must cover fan—check fan diameter before building this housing.



SHOP DETAIL—3/4



COLLECTOR DUCT—1/4

MIDWEST PLAN SERVICE	
48' SOLAR MACHINE SHED AND SHOP	
Rev. 4/82	Plan No. mwps-81901
	Page 4 of 4
Copyright © 1980 Midwest Plan Service, Ames, IA 50011	