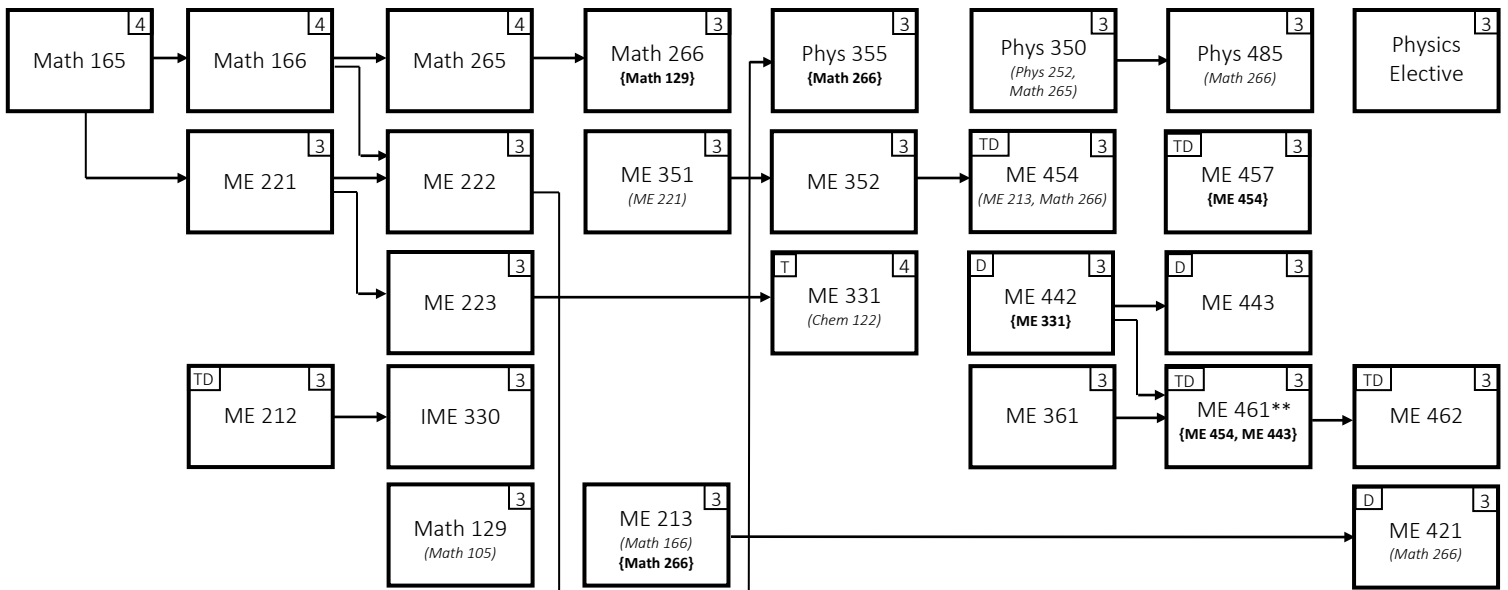


Mechanical Engineering/Physics Curriculum Flow Chart

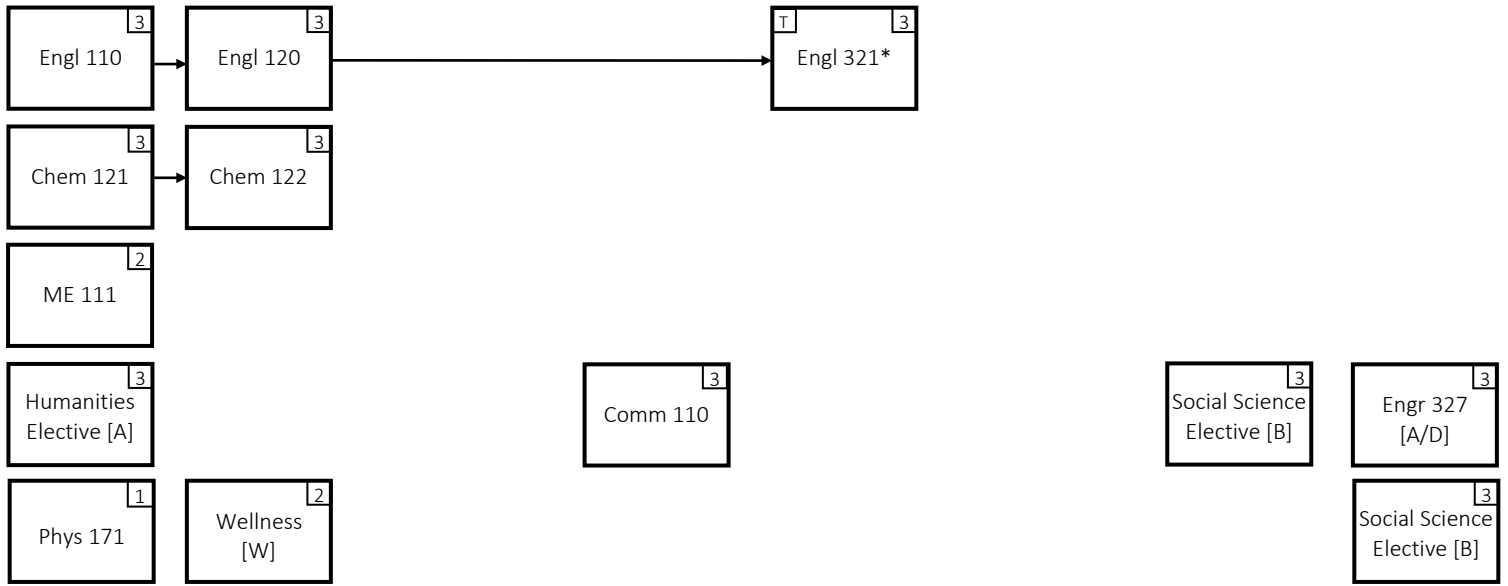
Semesters

I II III IV V VI VII VIII



KEY

1. Arrow lines indicate prerequisites
2. (*Italic*) = prerequisites not shown with arrows
3. Upper right-hand number in each course box = number of credits
4. * = Junior Standing (60 completed credits)
5. ** = Senior Standing (90 completed credits)
6. F = offered in Fall Only
T = Team Activity Required
D = Design Project Required
7. **{Bold}** = co-requisites (may be taken as a prereq, otherwise must be taken at the same time)



16	18	16	17	17	18	16	18
Credits/Semester				Required Credits for Graduation = 136			