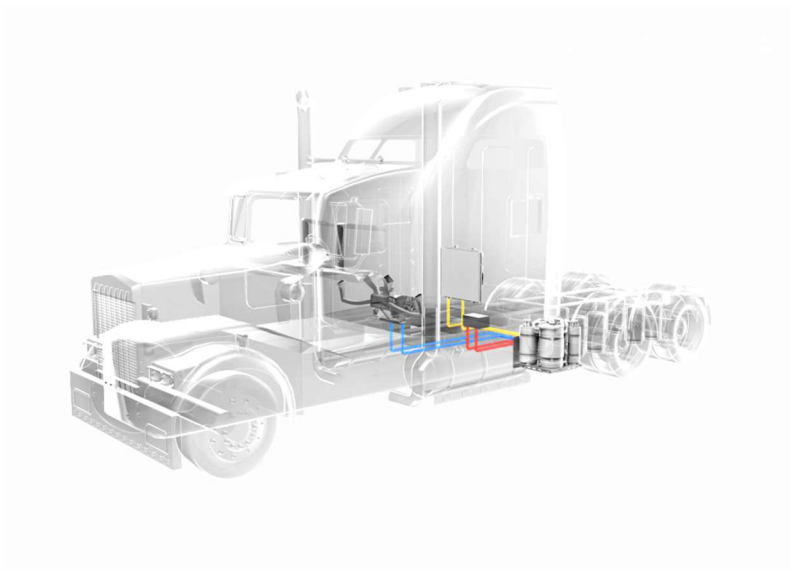


## **Research Assistant Position available**



We are seeking a talented and highly motivated Ph.D. student to work on nanomaterials and fuel cells. The position will start in 2021 Summer. One with a chemistry, materials science or physics background is encouraged to apply. Priority will be given to those who are experienced in experimental investigation of nanomaterials, catalysts, lithium ion batteries and/or fuel cells (in particular, biomass-based fuel cells).

If you are interested, please contact Dr. Qifeng Zhang at [qifeng.zhang\(at\)ndsu.edu](mailto:qifeng.zhang@ndsu.edu).

### **Application documents:**

1. CV
2. Research interest